

1 2 3 4 5 6

A

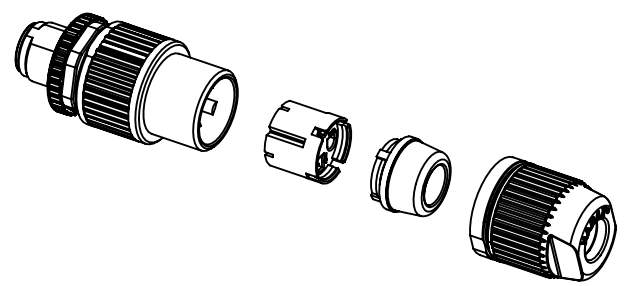
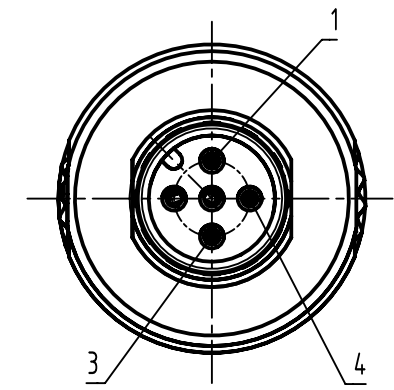
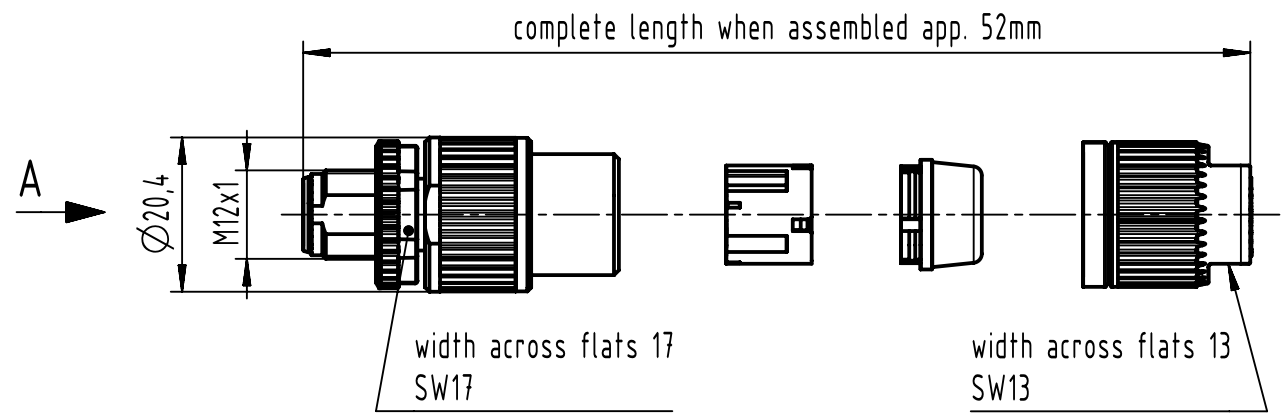
B

C


D

contact face based on
IEC 61076-2-101

A (2:1)



cable outside diameter	conductor cross section
6,0mm - 8,0mm	AWG22 - AWG18 0,34mm ² - 0,75mm ²

	All rights reserved Department EL PD	All Dimensions in mm Original Size DIN A4		Scale 1:1	Free size tol.	Ref. Sub.
		HARTING D-32339 Espelkamp	Created by HASSE	Inspected by 104.122	Standardisation SAP_WFRT	Date 2022-02-04
Title M12-L-CC-IDC-3P-ACOD-M-STR						Doc-Key / ECM-Nr. 100190995/UGD/002/E 500000210890
Type TB				Number 21032121306		Rev. E
						Page 1/1